

MODEL NUMBER

TVL-M20GNPM

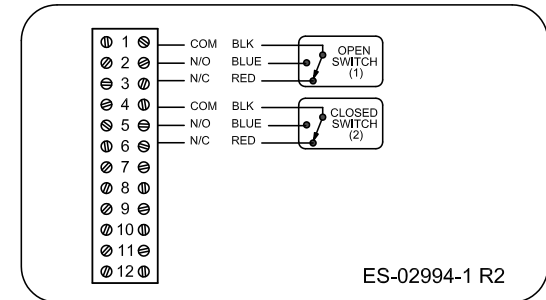
PRODUCT LINE

Switchbox TVF, TVH, and TVL

SPECIFICATIONS

| | |
|------------------------|-------------------------------------|
| Enclosure | Tropicalized Aluminum base and lid |
| Bus/Sensor | (2) Mech SPDT |
| Area Classification | Intrinsically safe |
| Visual Display | Standard 90° Green OPEN, Red CLOSED |
| Shaft | NAMUR |
| Conduit Entries | (2) 1/2" NPT |
| O-Rings | Silicone |
| Pilot | No pilot option |
| Spool Valve | No spool valve option |
| Valve Cv | No valve Cv option |
| Manual Override | No manual override option |
| Regional Certification | No regional cert option |
| N Switch | No N Switch |

WIRING DIAGRAM



ES-02994-1 R2

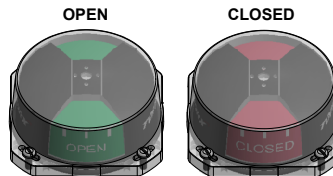
NAMEPLATE



Telemetering Equipment for Hazardous Locations
WARNING: Substitution of components may impair intrinsic safety. Enclosure contains aluminum - avoid ignition hazards due to impact or friction. Potential electrostatic charging hazard. Clean only with damp cloth.
AVERTISSEMENT: La substitution de composants peut compromettre la sécurité intrinsèque. Boîtier contient de l'aluminium - éviter inflammation due à des risques d'impact ou de friction. Danger potentiel de charge électrostatique. Nettoyer avec un chiffon humide.

TopWorx
 3300 Fern Valley Road
 Louisville, KY 40213 USA
 www.topworx.com

CI I Div 1, Grps A-D; CI II Div 1, Grps E-G
 Type 4X; T4 -50°C ≤ Ta ≤ 60°C; IP66/68
 Ex ia IIC T6 Gb; -65°C ≤ Ta ≤ 55°C
 Ex Ib III C T75 C Db; -50°C ≤ Ta ≤ 55°C
 Sira I3ATEX2364X IECEx SIR 13.0146X
 Install per Control Drawing ES-03039-1
Model #:
Serial #:



Current as of June 26, 2019 – Subject to change without notice.

TOPWORX
 3300 Fern Valley Road
 Louisville, KY 40213

(502)969-8000 PH
 (502)969-5911 FAX
 www.topworx.com