

MODEL NUMBER

TVH-R22GNEM261

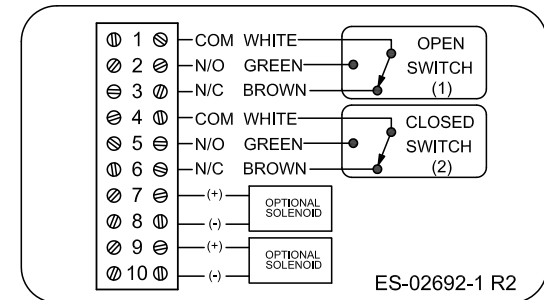
PRODUCT LINE

Switchbox TVF, TVH, and TVL

SPECIFICATIONS

| | |
|------------------------|-------------------------------------|
| Enclosure | 316 Stainless Steel base and lid |
| Bus/Sensor | (2) SPDT 1A max |
| Area Classification | Non-incendive |
| Visual Display | Standard 90° Green OPEN, Red CLOSED |
| Shaft | NAMUR |
| Conduit Entries | (2) 3/4" NPT |
| O-Rings | Silicone |
| Pilot | (2) 24Vdc pilot fail open/closed |
| Spool Valve | 316 Stainless Steel |
| Valve Cv | 1.0 Cv (1/4" NPT Ports) |
| Manual Override | No manual override option |
| Regional Certification | No regional cert option |
| N Switch | No N Switch |

WIRING DIAGRAM



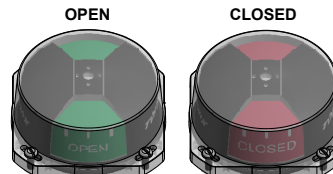
NAMEPLATE



Topworx
3300 Fern Valley Road
Louisville, KY 40213 USA
www.topworx.com
CI I Div 2, Grps A-D; CI II Div 2, Grps F-C
Type 4X; T4 -40°C ≤ Ta ≤ 50°C; IP66/68
Ex nA nC T4 Gc; -40°C ≤ Ta ≤ 55°C
Ex 1c IIC T115°C Dc; -40°C ≤ Ta ≤ 55°C
SWITCH: 25VDC/1A
PILOT: 24 VDC

Telemetry Equipment for Hazardous Locations
WARNING: Substitution of components may impair suitability for use in Class I, Division 2 or Zone 2 environments. Must be known to be non-hazardous area before servicing. Enclosure contains aluminum - avoid ignition hazards due to impact or friction. Potential electrostatic charging hazard. Clean only with damp cloth.
AVERTISSEMENT: La substitution de composants peut nuire à l'utilisation en Classe I, Division 2 environnements. Doivent être connus pour être des zones non dangereuses avant l'entretien. Boîtier contient de l'aluminium - éviter inflammation due à des risques d'impact ou de friction. Danger potentiel de charge électrostatique - Nettoyer avec un chiffon humide.

Model #: Serial #:



Current as of June 26, 2019 – Subject to change without notice.

TOPWORX

3300 Fern Valley Road
Louisville, KY 40213

(502)969-8000 PH
(502)969-5911 FAX
www.topworx.com