

## MODEL NUMBER

TVF-R22GNPM1A1

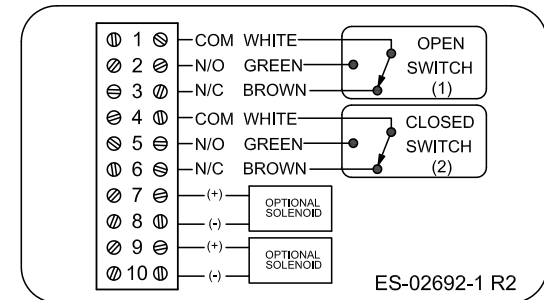
## PRODUCT LINE

Switchbox TVF, TVH, and TVL

## SPECIFICATIONS

Enclosure	Tropicalized Aluminum base with clear resin lid
Bus/Sensor	(2) SPDT 1A max
Area Classification	Non-incendive
Visual Display	Standard 90° Green OPEN, Red CLOSED
Shaft	NAMUR
Conduit Entries	(2) 1/2" NPT
O-Rings	Silicone
Pilot	(1) 24Vdc pilot fail open/closed
Spool Valve	Aluminum Hard Coated anodized
Valve Cv	1.0 Cv (1/4" NPT Ports)
Manual Override	No manual override option
Regional Certification	No regional cert option
N Switch	No N Switch

## WIRING DIAGRAM



## NAMEPLATE



Topworx  
3300 Fern Valley Road  
Louisville, KY 40213 USA  
www.topworx.com  
CI I Div 2, Grps A-D; CI II Div 2, Grps F-G  
Type 4X; T4 -40°C ≤ Ta ≤ 50°C;  
Ex nA nC IIC T4 Gc; -40°C ≤ Ta ≤ 55°C  
SWITCH: 25VDC/1A  
PILOT: 24 VDC

Telemetry Equipment for Hazardous Locations  
**WARNING:** Substitution of components may impair suitability for use in Class I, Division 2 or Zone 2 environments. Must be known to be non-hazardous area before servicing. Enclosure contains aluminum - avoid ignition hazards due to impact or friction. Potential electrostatic charging hazard. Clean only with damp cloth.  
**AVERTISSEMENT:** La substitution de composants peut nuire à l'utilisation en Classe I, Division 2 environnements. Doivent être connus pour être des zones non dangereuses avant l'entretien. Boîtier contient de l'aluminium - éviter inflammation due à des risques d'impact ou de friction. Danger potentiel de charge électrostatique - Nettoyer avec un chiffon humide.

Model #:

Serial #:

Current as of June 26, 2019 – Subject to change without notice.

**TOPWORX**

3300 Fern Valley Road  
Louisville, KY 40213

(502)969-8000 PH  
(502)969-5911 FAX  
www.topworx.com