

MODEL NUMBER

TVF-P22GNPM

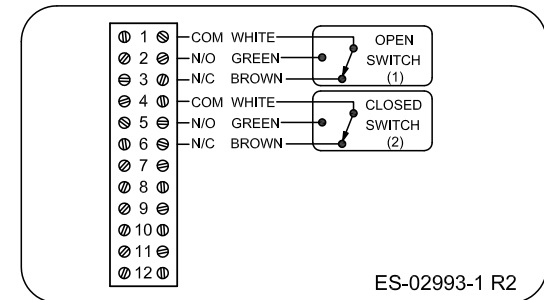
PRODUCT LINE

Switchbox TVF, TVH, and TVL

SPECIFICATIONS

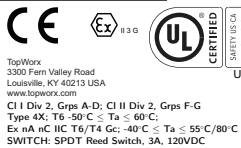
| | |
|------------------------|---|
| Enclosure | Tropicalized Aluminum base with clear resin lid |
| Bus/Sensor | (2) SPDT 3A max |
| Area Classification | Non-incendive |
| Visual Display | Standard 90° Green OPEN, Red CLOSED |
| Shaft | NAMUR |
| Conduit Entries | (2) 1/2" NPT |
| O-Rings | Silicone |
| Pilot | No pilot option |
| Spool Valve | No spool valve option |
| Valve Cv | No valve Cv option |
| Manual Override | No manual override option |
| Regional Certification | No regional cert option |
| N Switch | No N Switch |

WIRING DIAGRAM



ES-02993-1 R2

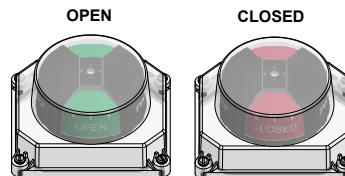
NAMEPLATE



Telemetering Equipment for Hazardous Locations
WARNING: Substitution of components may impair suitability for use in Class I, Division 2 or Zone 2 environments. Must be known to be non-hazardous area before servicing. Enclosure contains aluminum - avoid ignition hazards due to impact or friction. Potential electrostatic charging hazard. Clean only with damp cloth.
AVERTISSEMENT: La substitution de composants peut nuire à l'utilisation en Classe I, Division 2 environnements. Doivent être connus pour être des zones non dangereuses avant l'entretien. Boîtier contient de l'aluminium - éviter inflammation due à des risques d'impact ou de friction. Danger potentiel de charge électrostatique - Nettoyer avec un chiffon humide.

Model #:

Serial #:



Current as of June 26, 2019 – Subject to change without notice.

TOPWORX
 3300 Fern Valley Road
 Louisville, KY 40213

(502)969-8000 PH
 (502)969-5911 FAX
 www.topworx.com