

MODEL NUMBER

TVF-M2GGNPM2A1

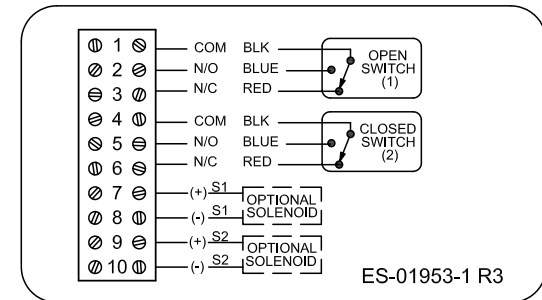
PRODUCT LINE

Switchbox TVF, TVH, and TVL

SPECIFICATIONS

Enclosure	Tropicalized Aluminum base with clear resin lid
Bus/Sensor	(2) Mech SPDT
Area Classification	General Purpose
Visual Display	Standard 90° Green OPEN, Red CLOSED
Shaft	NAMUR
Conduit Entries	(2) 1/2" NPT
O-Rings	Silicone
Pilot	(2) 24Vdc pilot fail open/closed
Spool Valve	Aluminum Hard Coated anodized
Valve Cv	1.0 Cv (1/4" NPT Ports)
Manual Override	No manual override option
Regional Certification	No regional cert option
N Switch	No N Switch

WIRING DIAGRAM



ES-01953-1 R3

NAMEPLATE

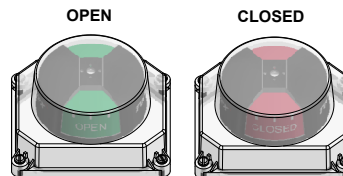


Type 4X; 0°C ≤ Ta ≤ 60°C;
General Purpose
SWITCH: SPDT 10A/250VAC; 3A/24VDC
PILOT: 24 VDC

TopWorx
3300 Fern Valley Road
Louisville, KY 40213 USA
www.topworx.com

Model #:

Serial #:



Current as of June 26, 2019 – Subject to change without notice.

TOPWORX
3300 Fern Valley Road
Louisville, KY 40213

(502)969-8000 PH
(502)969-5911 FAX
www.topworx.com