

MODEL NUMBER

K5L-P2WGNMM

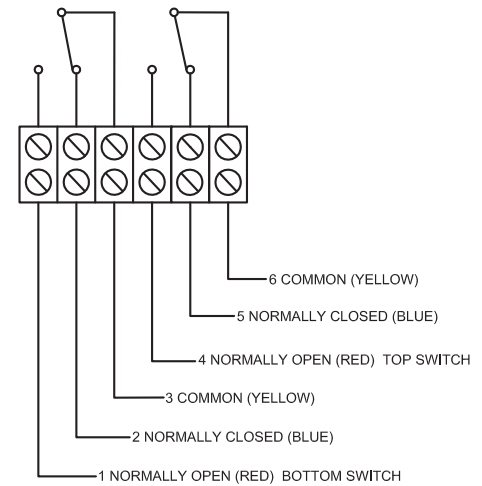
PRODUCT LINE

Switchbox K5L

SPECIFICATIONS

Enclosure	Aluminum
Bus/Sensor	(2) SPDT Reed, 3A
Area Classification	No Approvals
Visual Display	Green/Red
Shaft	NAMUR
Conduit Entries	(2) M20
O-Rings	Silicone
Pilot	No Pilot
Spool Valve	No Spool Valve
Valve Cv	No Valve Cv
Manual Override	No Manual Override
Regional Certification	No Regional Certification
N Switch	No N Switch

WIRING DIAGRAM



Current as of June 26, 2019 – Subject to change without notice.

NAMEPLATE

TopWorx
3300 Fern Valley Road
Louisville KY 40213 USA
+1 502 969 8000

IP66/67
Cable Entry: M20

Model #:

Serial #:

TOPWORX

3300 Fern Valley Road
Louisville, KY 40213

(502)969-8000 PH
(502)969-5911 FAX
www.topworx.com