

MODEL NUMBER

K5L-E2GGNMM

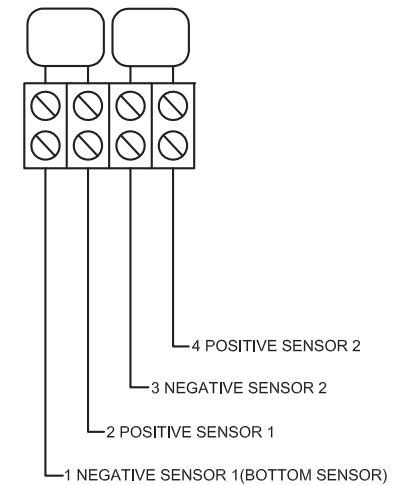
PRODUCT LINE

Switchbox K5L

SPECIFICATIONS

Enclosure	Aluminum
Bus/Sensor	(2) P+F NJ2-V3-N
Area Classification	ATEX/IECEX, Ex ia Only
Visual Display	Green/Red
Shaft	NAMUR
Conduit Entries	(2) M20
O-Rings	Silicone
Pilot	No Pilot
Spool Valve	No Spool Valve
Valve Cv	No Valve Cv
Manual Override	No Manual Override
Regional Certification	No Regional Certification
N Switch	No N Switch

WIRING DIAGRAM



NAMEPLATE



TopWorx
3300 Fern Valley Road
Louisville KY 40213 USA
+1 502 969 8000

Type: S-PH-G-IEC
Baseefa 16ATEX0138 / IECEX BAS 16.0107
Ex ia IIC T6 Gb
Ta: -25°C to 70°C
SWITCH: Ui:16V, Ii:25mA, Pi:0.034W, Ci:100nF, Li:550µH
IP66/67
Cable Entry: M20

Model #:

Serial #:

Current as of June 26, 2019 – Subject to change without notice.

TOPWORX

3300 Fern Valley Road
Louisville, KY 40213

(502)969-8000 PH
(502)969-5911 FAX
www.topworx.com